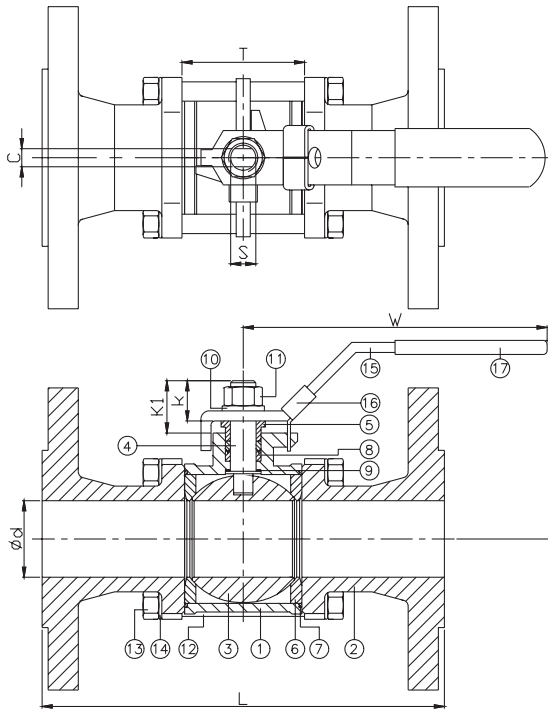
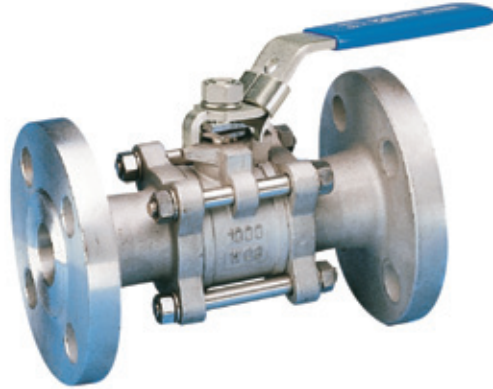




3-PC. FLANGED END BALL VALVE



FEATURES

- Full port, 1/2"~4" (DN15~DN100)
- Body W.P. : 1000 WOG (PN63)
- Flange End W.P. : PN40
- W.T. : -20°C~200°C (-4°F~392°F)
- Investment casting
- Blow-out proof stem
- Anti-static device (option)
- Locking device
- ISO 5211 Mounting pad - 2010M (option)
- ISO 5211 Direct mounting pad - 2010D (option)
- Flange dimension: DIN 2501 - PN40
- Face to face: DIN 3202 - F1

ITEM	PARTS	MATERIAL	
1	BODY	ASTM A351-CF8M	ASTM A216-WCB
2	CAP		
3	BALL	ASTM A351-CF8M	
4	STEM	ASTM A276-316	
5	GLAND NUT	AISI 304	
6	SEAT	PTFE / RTFE	
7	SEAL		
8	PACKING	PTFE	
9	THRUST WASHER		
10	SPRING WASHER		
11	STEM NUT		
12	BOLT		
13	BOLT NUT	AISI 304	
14	SPRING WASHER		
15	HANDLE	STAINLESS STEEL	
16	LOCKING DEVICE		
17	HANDLE SLEEVE	PVC	

DN	d	L	T	H	W	C	K	K1	S
15	15	130	24	83	152	5	10.5	16.2	5/16"W
20	20	150	28	92	152	6.5	13.5	20.7	3/8"W
25	25	160	35	86	182	8	15.5	24.7	7/16"W
32	32	180	45	91	182	8	15.5	21.7	7/16"W
40	38	200	55	112	214	9	17.5	26.7	1/2"W
50	50	230	66	115	214	9	17.5	26.7	1/2"W
65	65	290	86	172	314	12	33	42.2	3/4"W
80	80	310	100	188	314	12	33	40.2	3/4"W
100	100	350	125	207	339	12	42	56	1"W

unit:mm

NPS	d	L	T	T	W	C	K	K1	S
1/2"	0.59	5.12	0.94	3.27	5.98	0.2	0.41	0.64	5/16"W
3/4"	0.79	5.91	1.1	3.62	5.98	0.26	0.53	0.81	3/8"W
1"	0.98	6.3	1.38	3.39	7.17	0.31	0.61	0.97	7/16"W
1-1/4"	1.26	7.09	1.77	3.58	7.17	0.31	0.61	0.85	7/16"W
1-1/2"	1.5	7.87	2.17	4.41	8.43	0.35	0.69	1.05	1/2"W
2"	1.97	9.06	2.6	4.53	8.43	0.35	0.69	1.05	1/2"W
2-1/2"	2.56	11.42	3.39	6.77	12.36	0.47	1.3	1.66	3/4"W
3"	3.15	12.2	3.94	7.4	12.36	0.47	1.3	1.58	3/4"W
4"	3.94	13.78	4.92	8.15	13.35	0.47	1.65	2.2	1"W

unit:in

Add:Shacheng Industrial Park ,Longwan District,Wenzhou City 325025,
ZheJiang Province,China

Tel/Fax: +86-577-8986-3679 Mobile : +86 189 5773 1879

<http://www.cncxvalve.com>

Email:sales@cncxvalve.com